

S9J4780

Drawn by: Tonya Helgesen

Trident Technical College
Dealer:

Signature: _____

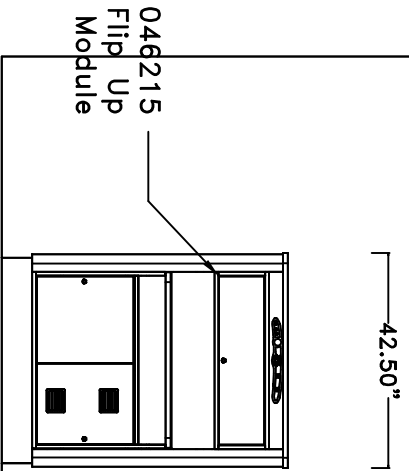
For dimensional data and cabinet configuration

Quote Date: 12/03/09
Quote Expires: Date + 60 days

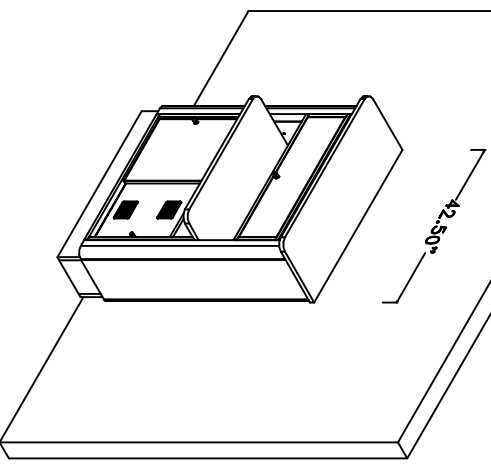
1-800-659-6560



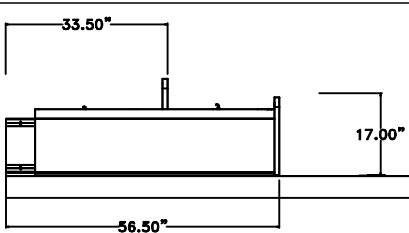
View A



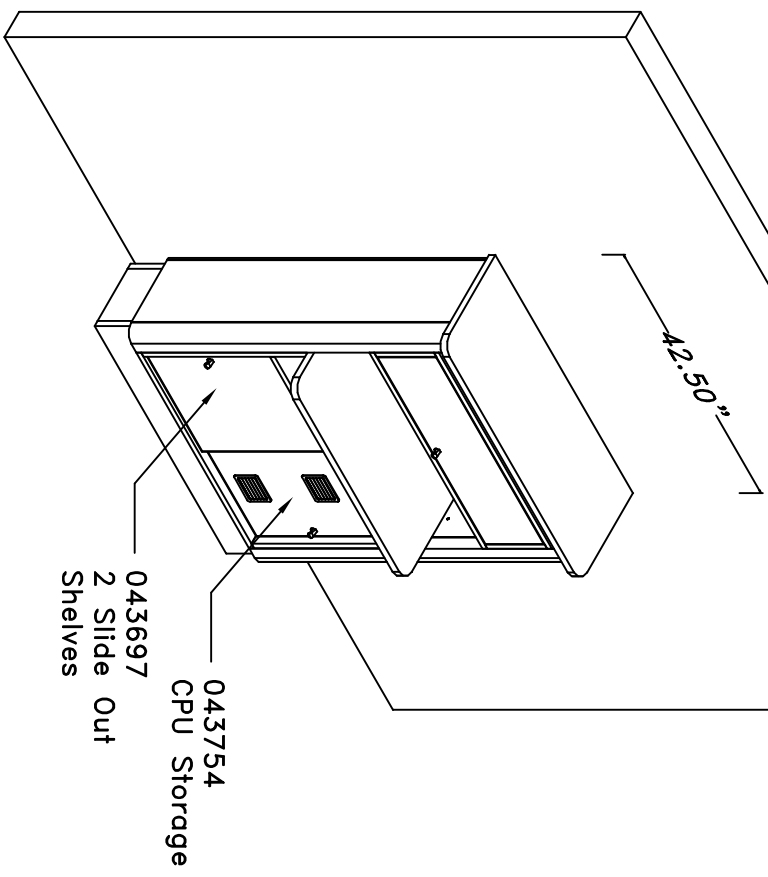
View B



View C



View D



Base price includes white laminate countertop, stainless steel top mount sink and chrome faucet with soap dispenser (if shown).

This product may be covered by one or more of the following patents:
D598,212; D597,340; D571,477S; D550,335. Additional patents pending.

This drawing is sole property of Pelton and Crane. Actual product may vary from drawing. Pricing may not include all items in drawing. Pricing expires 90 days after the above date. Templates available upon request.
EDC-021-F01

Cab. Color _____

Ctp. Color _____

Initials _____

- Ready for Production
- Handles
- Knobs
- Push